

XT400

EPS Foam Densifier



Turn your Foam Waste into an Income Source...

and say good-bye to your foam waste hauling bill.

The **XT400** EPS Foam Densifier by **RecycleTech** can reduce your total waste hauling cost by up to **80%**.

Our clients are not only saving thousands of dollars daily, but also ***generating income** from their EPS foam waste!

***JGC&C will buy back 100% of your densified EPS foam!**

• Applications

- Mid-sized distribution centers / manufacturers
- Mid-sized electronic recycle & repair centers & more

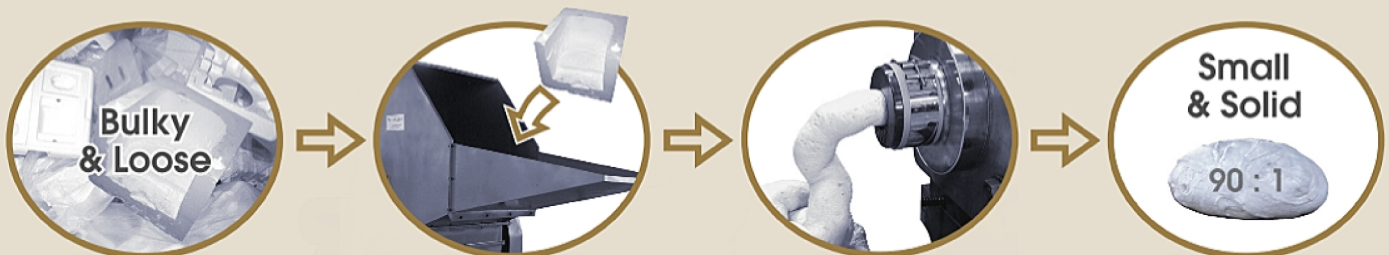
• Why XT400

- Cost effective for mid to large sized operations
- Installable in relatively small space



Patent Pending

How it Works - Volume Reduction Ratio of up to 90 to 1.



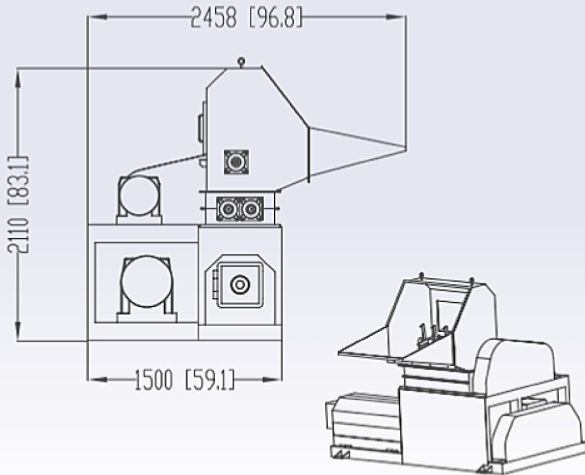
Densifies up to 400 lbs of EPS foam per hour.

XT400 EPS Foam Densifier



XT400

- Weight : 5500 lbs
- Capacity : up to 400 lbs/hour
- Overall Dimensions : 60"(W) x 108"(L) x 83"(H)
- Hopper Opening : 36" x 36"
- Power Requirements : 480 Volt / 3 Phase / 35~70 Amp
(100 Amp Circuit Breaker required)
(220 Volt option Available)



RecycleTech is a full service recycling company specialized in EPS foam recycling solutions.

We purchase all types of Plastic Scrap.



**Save Earth,
Save Money!**



RECYCLETECH
EPS Recycling Solutions

www.recycletechno.com / jirahgcc@gmail.com / yoreciclopr@gmail.com

Distributed Exclusively in PR & Caribbean by:

JIRAH
GENERAL CONTRACTORS
& CONSULTING, INC.



Tel. 787-479-8114 / 787-478-2861

XT70 Multiple Foam Densifier

XT70

- Materials: EPS, EPP, EPE, & PSP
- Weight : 908 lbs
- Capacity : 50 lbs/hour
- Overall Dimensions :
31"(W) X 43"(L) X 55"(H)
- Hopper Opening : 17" X 12"
- Power Requirements :
220 Volt / 3 Phase / 16~30 Amp
(50 Amp circuit breaker required)



XT200 Compact Foam Densifier

XT200

- Weight : 1400 lbs
- Capacity : 200 lbs/hour
- Overall Dimensions :
47"(W) X 43"(L) X 65"(H)
- Hopper Opening : 25" X 20"
- Power Requirements :
220 Volt / 3 Phase / 16~40 Amp
(60 Amp circuit breaker required)

Check our "Wet" model



XT500 Mid-Size Foam Densifier with Conveyor System

XT500

- Weight : 6400 lbs
- Capacity : 500 lbs/hour
- Overall Dimensions :
108"(W) X 186"(L) X 83"(H)
- Hopper Opening : 36" X 36"
- Power Requirements :
460 Volt / 3 Phase / 35~70 Amp
(100 Amp circuit breaker required)



XT700 Large-Size Foam Densifier with Conveyor and Silo System

XT700

- Weight : 7000 lbs
- Capacity : 700 lbs/hour
- Overall Dimensions :
181"(W) X 186"(L) X 248"(H)
- Hopper Opening : 36" X 36"
- Power Requirements :
460 Volt / 3 Phase / 45~90 Amp
(150 Amp circuit breaker required)

